

IMPORTED FROM ITALY  
-SON OF A-  
**BARISTA**  
ARTISAN  COFFEE

C A P S U L E  
C O F F E E  
M A C H I N E



## Coffee Machine Instruction Manual

# IMPORTANT SAFEGUARDS

When using electrical appliance, basic safety precautions should always be followed including the following:

1. Read all instructions.
2. Do not touch hot surfaces. Use handles or knobs.
3. To protect against fire, electric shock and injury to persons do not immerse cord, plugs, or body in water or other liquid.
4. Close supervision is necessary when any appliance is used by or near children.
5. Unplug from outlet when not in use and before cleaning. Allow to cool before putting on or taking off parts, and before cleaning the appliance.
6. Do not operate any appliance with a damaged cord or plug or after the appliance malfunctions, or has been damaged in any manner. Return appliance to the nearest authorized service facility for examination, repair or adjustment.
7. The use of accessory attachments not recommended by the appliance manufacturer may result in fire, electric shock or injury to persons.
8. Do not use outdoors
9. Do not let cord hang over edge of table or counter, or touch hot surfaces.
10. Do not place on or near a hot gas or electric burner, or in a heated oven.
11. To disconnect, turn any control to "off", then remove plug from wall outlet.
12. Do not use appliance for other than intended use.
13. Please moved the knob to lockup location when the coffee maker operate.
14. Scalding may occur if the lid is removed during the brewing cycles.
15. Do not use the appliance, when socket, cord, or unit is found damaged.
16. Please keep this instruction properly for reference.

## SAVE THESE INSTRUCTION

A short power-supply cord (or detachable power-supply cord) is to be provided to reduce risks resulting from becoming entangled in or tripping over a longer cord. Longer detachable power-supply cords or extension cords are available and may be used if care is exercised in their use. If a long detachable power-supply cord or extension cord is used:

- 1) The marked electrical rating of the detachable power-supply cord or extension cord should be at least as great as the electrical rating of the appliance;
- 2) If the appliance is of the grounded type, the extension cord should be a grounding-type 3-wire cord; and
- 3) The longer cord should be arranged so that it will not drape over the counter top or table top where it can be pulled on by children or tripped over.

# Index

<b>1. Safety Notes</b> .....	03
<b>2. Technical features</b> .....	04
<b>3. Brief Introduction</b> .....	04
Product Photo.....	04
Appliance Parts.....	04
<b>4. Installation Instructions</b> .....	05
<b>5. Operation</b> .....	05
Operation of water tank.....	05
Preheating.....	05
Insert capsule.....	05
Put the coffee cup.....	06
Make coffee.....	06
Buttons.....	06
Set the quantity of coffee.....	06
Set the coffee temperature.....	07
<b>6. Maintenance and Care</b> .....	08
Daily Cleaning.....	08
Eliminate faults.....	08

## 1. Safety Notes

1. Please read the Manual and safety notes before operation and keep it well
2. The coffee machine should be placed out of the children's reach
3. Please make sure the voltage indicated on the rating plate agrees with that of the electrical installation
4. Damaged power cord cannot be used; the machine shall stay away from heat sources and flammable materials
5. Please do not use the machine in the open air, immerse it into liquid and get close to heat source
6. If the power supply cord is damaged, it must be replaced by the manufacturer or its services agent or a similarly qualified person in order to avoid a hazard. Please keep the circuit dry and the use original accessories
7. Turn off the power and unplug the power before moving the machine
8. The original packaging can well protect the coffee machine during the transportation, please retain the packing box
9. The proper use and maintenance can extend the service life of the coffee machine
10. Please do not open any component of the coffee machine during the operation, and do not cut off the power supply as to avoid the deadlock of brewer or process chaos
11. For machine failure, please consult the distributor duly, not dismantle the machine on your own; please bring the machine to authorized service center for repair if necessary. The manufacturer shall assume no liability for any accident incurred due to unauthorized disassembly
12. The machine shall not be operated by the following people (including children): people suffer a mental, sensory or physical defect, or are lack of experience and knowledge. Unless the said people have been supervised or guided by qualified personnel, who shall take full responsibility for the safety during the operation. Please do not let the children play with the machine
13. This appliance is intended to be used in household and similar applications such as: -Staff kitchen areas in shops, offices and other working environments:
  - Farm houses; by clients in hotels, motels, and other residential type environments
  - Bed and breakfast type environments
14. Warning: un-designated national standard grounding plug should not be used for avoiding danger
15. To guarantee the appropriate operation and to preserve the machine longer, it is advised to use the specific filter against deposit sedimentary, limiting the formation of limestone

## 6. Maintenance and Care

### Daily Cleaning

1. Water Tank: Take off the tank, pour out any water inside, clean it with a soft cloth and clean water
2. Drip Tray: Take off the tray, pour out any water inside, clean it with a soft cloth and clean water
3. Machine body: Wipe the outer surface with a soft cloth regularly. Keep the appliance clean, especially the switches and plug, to ensure safety

Note: All parts are not allowed to wash in a dishwasher or other similar home appliances.

### Eliminate faults

No light	Check the power supplier, e.g. plug, voltage, fuse and main switch
No coffee	Water tank empty? Fill water tank and press the button B or C several times to make sure the water tank supply water smoothly. Used capsule is in the brewing system still, change a new one  Make sure you choose the right drawer for the corresponding capsule brands
Non-function after pressing the button	The placed drawer is not in the correct position, please pull and push the drawer again to make sure the drawer is in the right position
Coffee not hot enough	Preheat the cups and rinse with hot water or you can set the coffee temperature by manual as mentioned above
The drawer can't be pulled out	Turn off the machine, release the pressure inside the machine, try to pull out the drawer again
Big noise	Ensure the water tank is filled and the water tank is inserted well
The machine turns off by itself	For protecting the machine and save energy sources, the machine will turn off after 25 minutes without any operation
All lights flash	Switch off the machine for 1 minute and restart it again

- long cup button for adjusting the coffee quantity: press the button of long cup for long time (at least 20 seconds, maximum 120 seconds) according to the needed quantity of coffee, release the button, the machine will remember the time for making coffee, the same time will be used for making coffee for next times;

Back to the default setting: press the both the short cup button and long cup button at the same time until short cup button and long cup button flash 3 times, the machine will return to the default settings;

### Set the coffee temperature

1 according to the habit of user, adjust the coffee temperature by pressing the button of short cup or long cup. there are 7 levels for total, the normal one in the middle, could adjust up for 4 levels or adjust down 2 levels, only when the machine is stand by position (the on/off button in red or press the on/off button until it in red for long time), adjust the machine as below:

- press the short cup button for long time (each pressing is about one second): press the short cup button 1st time, flash 2 times, the temperature adjust down for one level; press the short cup button 2nd times, flash 1 time, the temperature adjust down for two levels;
- press the long cup button for long time (each pressing is about one second): flash 1 times, the temperature adjusts up for one level; press the long cup button 2nd times, flash 2 times, the temperature adjust up for two levels; press the long cup button 3rd times, flash 3 times, the temperature adjust up for three levels, press the long cup button 4th times, flash 4 times, the temperature adjust up for four levels;

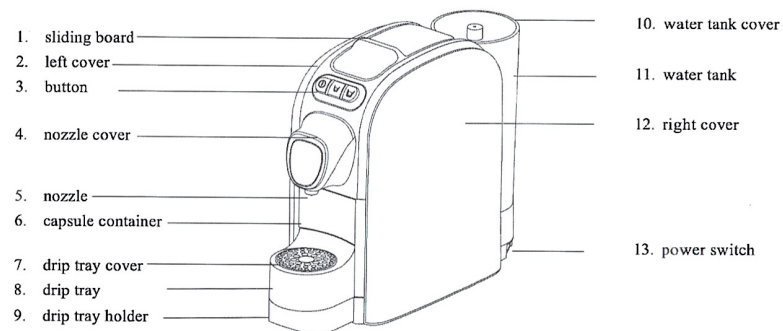
Back to the default setting of normal temperature: press both short cup button and long cup button at same time until both two buttons flash 3 times, the machine back to the default setting of temperature. (Operate only when the machine is stand by position).

## 2. Technical features

Model	SV825
Dimension	L370* L140* A288 mm
Weight	3,3Kg
Length of Electric Wire	95cm
Water Tank Capacity	0,85L
Water Pump Pressure	19Bar
Voltage / Frequency	AC110-120V/60Hz
Power	1100W

## 3. Brief Introduction

### Product photo



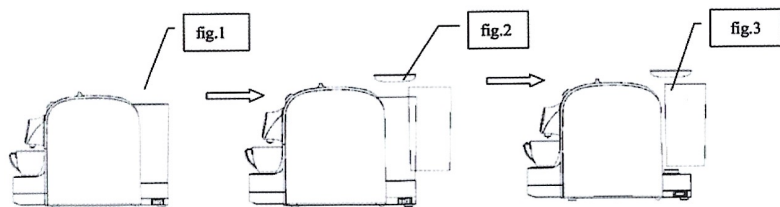
### Appliance parts

1. sliding board	8. drip tray
2. left cover	9. drip tray holder
3. button	10. water tank cover
4. nozzle cover	11. water tank
5. nozzle	12. right cover
6. capsule container	13. power switch
7. drip tray cover	

#### 4. Installation Instructions

1. Open the packaging to see whether there is any breakage or accessory parts shortage
2. Place the machine in a dry secure place, which shall be adjacent to the current jack as well
3. Take off the water tank, clean the tank, fill it with water, then put it back on the machine (only cool purified water can be used, not hot water, tap water or other liquid)

#### 5. Operation



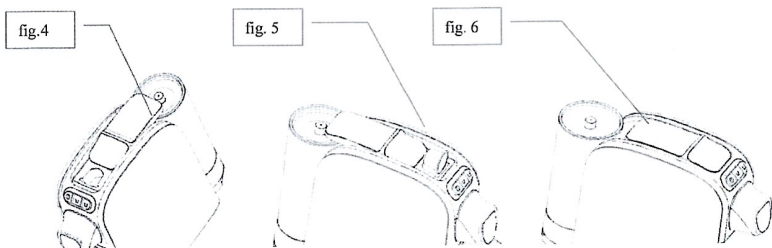
##### Operation of water tank

1. Unfold the water tank cover (fig. 1)
2. Take the water tank from the machine, fill in water (only cool purified water can be used, not hot water, tap water or other liquid) (fig 2), please do not overfill (max. 850ml).
3. Replace the tank to the machine and cover the tank by the lid (fig. 3).

##### Preheating

After filling the water, connect to power supply and the turn on the power switch (on/off), the machine starts the self-check procedure: power button and coffee button flash blue in 0.5s according to the sequence, then the power button will be lighted in red, self-check procedure completed. Press the power button for preheating, button flashes blue and the coffee button doesn't shine. About 45 seconds, both two buttons light in blue which means the machine is standby for making coffee.

##### Insert capsule



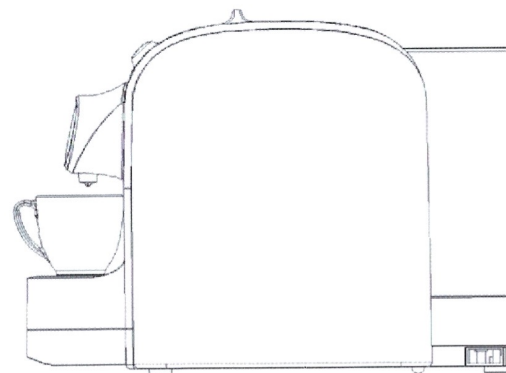
1. Move the sliding cover to the end (fig. 4)

2. Insert the capsule in the proper position (one capsule for each time) (fig. 5)

3. Moving back the sliding cover, it is ready for making coffee (fig. 6)

##### Put the coffee cup

Put one coffee cup below the coffee nozzle for holding the coffee




##### Make coffee

- Choose a short or long cup, according to your demand (press the button for short or long one).
- Long cup, it is around 50 seconds, brews around 40~65ml coffee.
- Short cup, it is around 30 seconds, brews around 20~30ml coffee.

##### Buttons

On / Off button (  )

Short cup (  )

Long cup (  )

##### Set the quantity of coffee

According to the habit of user, adjust the coffee quantity by pressing the button of short cup or long cup. After pre heating and when the machine were standing by for making coffee (on/off button, short cup, long cup):

- short cup button for adjusting the coffee quantity: press the button of short cup for long time (at least 15 seconds, maximum 80 seconds) according to the needed quantity of coffee, release the button, the machine will remember the time for making coffee, the same time will be used for making coffee for next times;